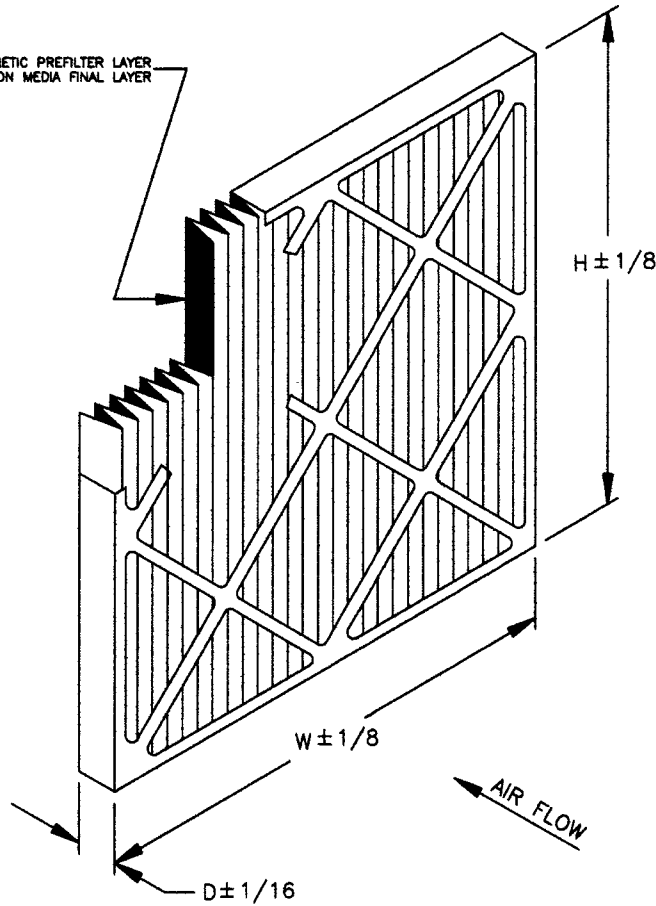


100% SYNTHETIC PREFILTER LAYER  
SELF-SUPPORTED CARBON MEDIA FINAL LAYER



Model Number	Nominal Size (Inches) W x H x D	Actual Size (Inches) W x H x D	Rated Air Flow (CFM)	Initial Resistance (IN W.G.)	Media Area (Square Feet)
FA-110	12 x 24 x 1	11-3/8 x 23-3/8 x 3/4	600	.40	2.6
FA-101	16 x 20 x 1	15-1/2 x 19-1/2 x 3/4	670	.40	3.4
FA-102	16 x 25 x 1	15-1/2 x 24-1/2 x 3/4	840	.40	4.3
FA-103	20 x 20 x 1	19-1/2 x 19-1/2 x 3/4	840	.40	4.3
FA-104	20 x 25 x 1	19-1/2 x 24-1/2 x 3/4	1050	.40	5.3
FA-105	24 x 24 x 1	23-3/8 x 23-3/8 x 3/4	1200	.40	6.1
FA-210	12 x 24 x 2	11-3/8 x 23-3/8 x 1-3/4	1000	.55	5.9
FA-201	16 x 20 x 2	15-1/2 x 19-1/2 x 1-3/4	1120	.55	6.9
FA-202	16 x 25 x 2	15-1/2 x 24-1/2 x 1-3/4	1400	.55	8.7
FA-203	20 x 20 x 2	19-1/2 x 19-1/2 x 1-3/4	1400	.55	8.9
FA-211	20 x 24 x 2	19-3/8 x 23-3/8 x 1-3/4	1670	.55	10.7
FA-204	20 x 25 x 2	19-1/2 x 24-1/2 x 1-3/4	1750	.55	11.2
FA-205	24 x 24 x 2	23-3/8 x 23-3/8 x 1-3/4	2000	.55	12.5
FA-410	12 x 24 x 4	11-3/8 x 23-3/8 x 3-3/4	1000	.51	12.7
FA-401	16 x 20 x 4	15-1/2 x 19-1/2 x 3-3/4	1120	.51	14.9
FA-402	16 x 25 x 4	15-1/2 x 24-1/2 x 3-3/4	1400	.51	18.7
FA-403	20 x 20 x 4	19-1/2 x 19-1/2 x 3-3/4	1400	.51	19.1
FA-411	20 x 24 x 4	19-3/8 x 23-3/8 x 3-3/4	1670	.51	22.9
FA-404	20 x 25 x 4	19-1/2 x 24-1/2 x 3-3/4	1750	.51	24.1
FA-405	24 x 24 x 4	23-3/8 x 23-3/8 x 3-3/4	2000	.51	26.8

**STANDARD CONSTRUCTION**

1. White, 100% Synthetic High Loft Media  
Self Supporting Activated Carbon Media  
60% Activity, 200 grams / square meter
2. Pleat Count:  
1" - 12.3 Pleats/Foot  
2" & 4" - 10.8 Pleats/Foot
3. Moisture Resistant Beverage Board Frame
4. Double Wall Frame
5. (2) Rows of Fingers on Air Entering Side (4" Only)

**NOTES**

1. Average Efficiency: 30-35% ASHRAE 52.1-1992  
MERV 8 ASHRAE 52.2-1992
2. Final Resistance: 1.2" W.G.
3. Rated Velocity: 1" - 300 FPM, 2" & 4" - 500 FPM



ONE SOURCE  
FOR  
AIR FILTRATION  
PRODUCTS  
P.O. Box 32578  
Louisville, KY 40232  
P: 502-969-2304  
F: 502-961-0930

CONTACT FACTORY TO  
VERIFY REVISION LEVEL

TOLERANCES  
UNLESS OTHERWISE SPECIFIED

FRACTIONAL  
DECIMAL  
ANGLES

ALL DIMENSIONS IN INCHES

DRAWING NAME

FRESH AIR CARBON PLEAT

APPROVED BY

*KCA*

SPECIFICATION NO.

MKT-B-00276

PAGE

1 OF 1

SCALE

NONE

DWG. SIZE

A

REVISION

D

REVISION DATE

07-06-04

CONFIDENTIAL - DO NOT COPY. THIS MATERIAL IS TRADE SECRET AND PROPRIETARY BEING EXCLUSIVELY OWNED BY AIRGUARD. THE EXPRESSION OF THE INFORMATION CONTAINED HEREIN IS PROTECTED UNDER FEDERAL COPYRIGHT LAWS AND ALL COPYING IS PROHIBITED AND MAY BE SUBJECT TO CRIMINAL PENALTIES.